

JVC

SCHEMATIC DIAGRAMS

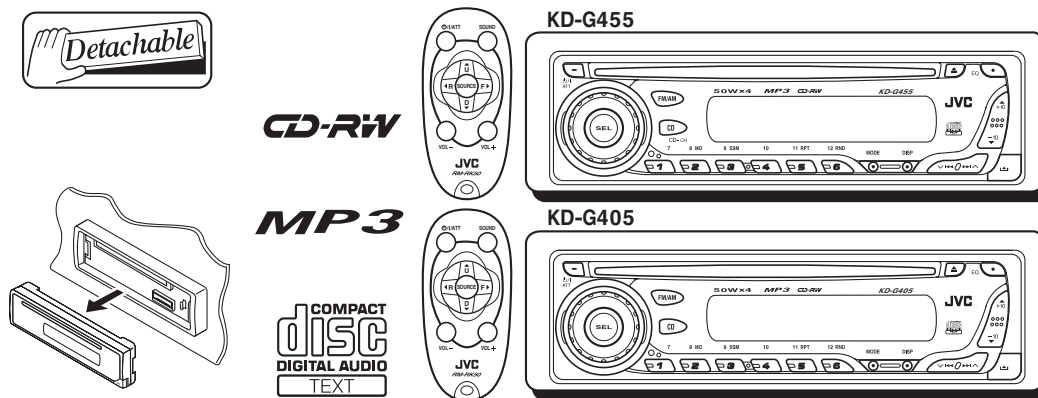
CD RECEIVER

KD-G455, KD-G405

CD-ROM No.SML200401

Area suffix

U ----- Other Areas

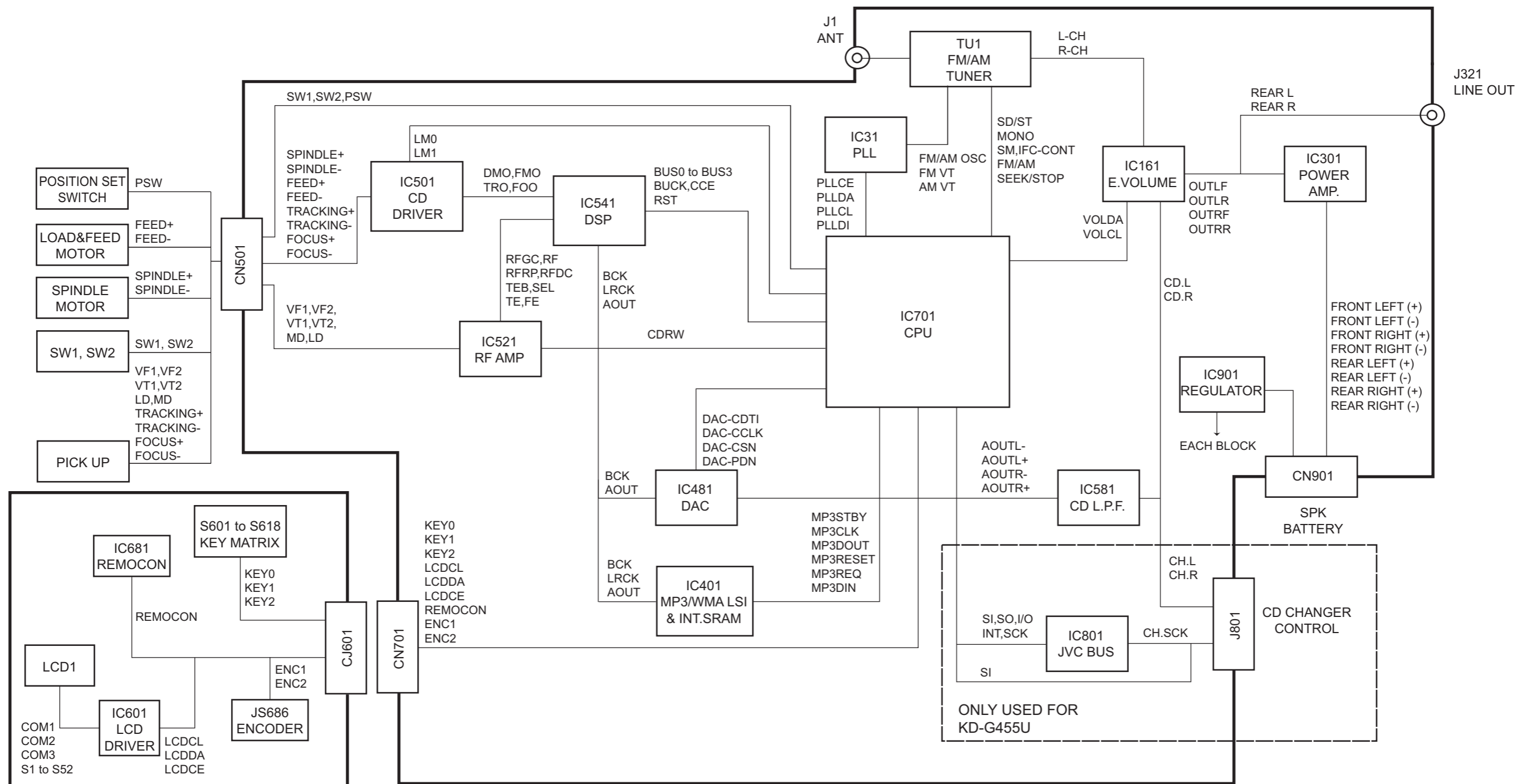


	KD-G455U	KD-G405U
CD CHANGER CONTROL	○	×

Contents

Block diagram	2-1
Standard schematic diagrams	2-2
Printed circuit boards	2-5 to 7

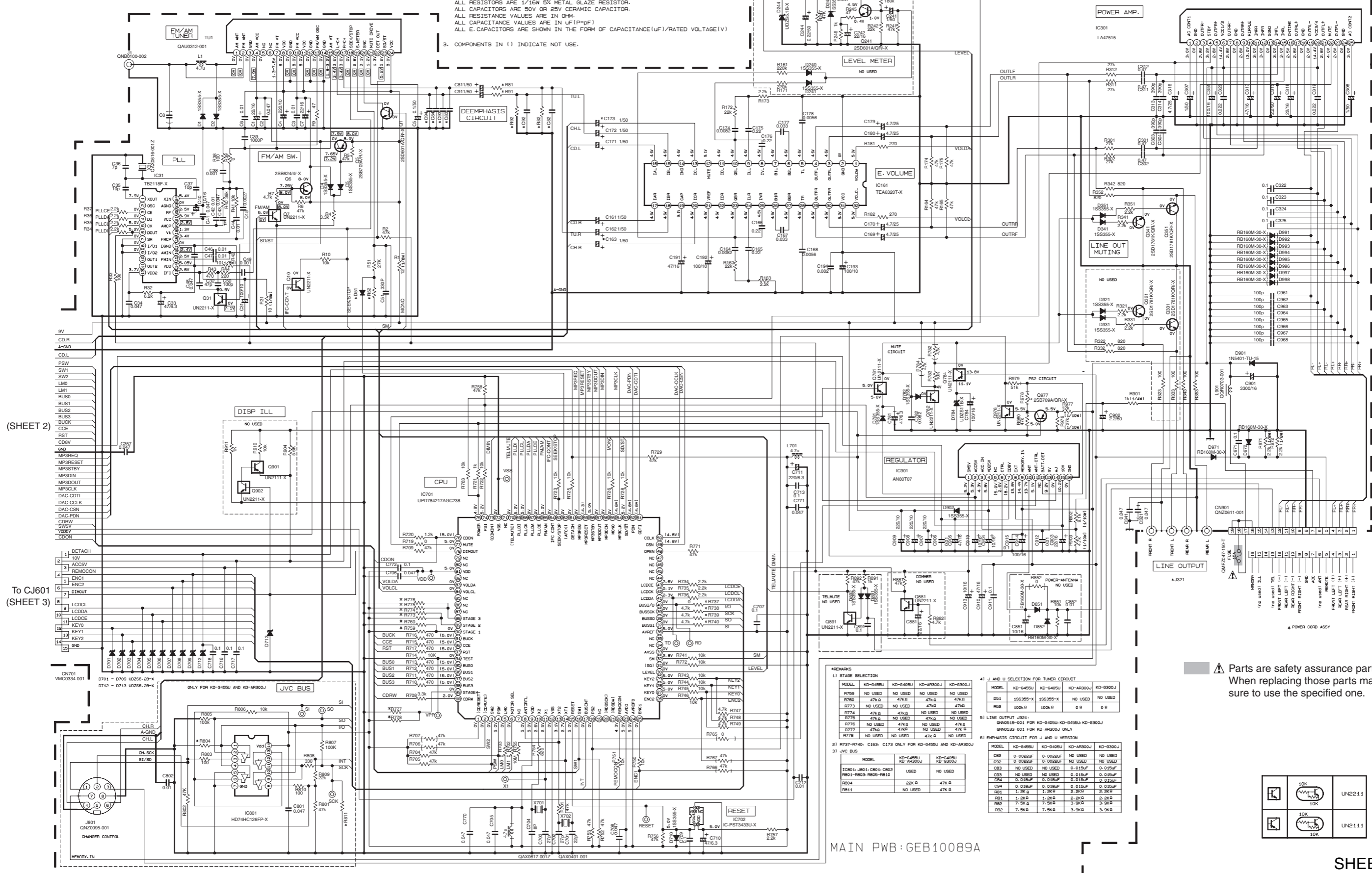
Block diagram



Standard schematic diagrams

Main amplifier section

- NOTES
1. VOLTAGES ARE DC-MEASURED WITH A DIGITAL VOLT METER WITHOUT INPUT SIGNAL CONDITION—FM MODE. () AM MODE. () CD MODE.
 2. UNLESS OTHERWISE SPECIFIED, ALL RESISTORS ARE 1/16W 5% METAL GLAZE RESISTOR. ALL CAPACITORS ARE 50V OR 25V CERAMIC CAPACITOR. ALL RESISTANCE VALUES ARE IN OHM. ALL CAPACITANCE VALUES ARE IN (PpF) ALL E-CAPACITORS ARE SHOWN IN THE FORM OF CAPACITANCE (UF)/RATED VOLTAGE (V)
 3. COMPONENTS IN () INDICATE NOT USE.



(SHEET 2)

To C.J601 (SHEET 3)

MAIN PWB: GEB10089A

SHEET 1

Parts are safety assurance parts. When replacing those parts make sure to use the specified one.

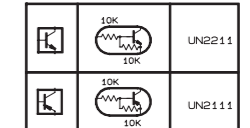
REMARKS

- 1) STAGE SELECTION
- 2) R737-R740, C183, C173 ONLY FOR KD-G455U AND KD-AR300J
- 3) JVC BUS
- 4) J AND U SELECTION FOR TUNER CIRCUIT
- 5) LINE OUTPUT J321
- 6) EMPHASIS CIRCUIT FOR J AND U VERSION

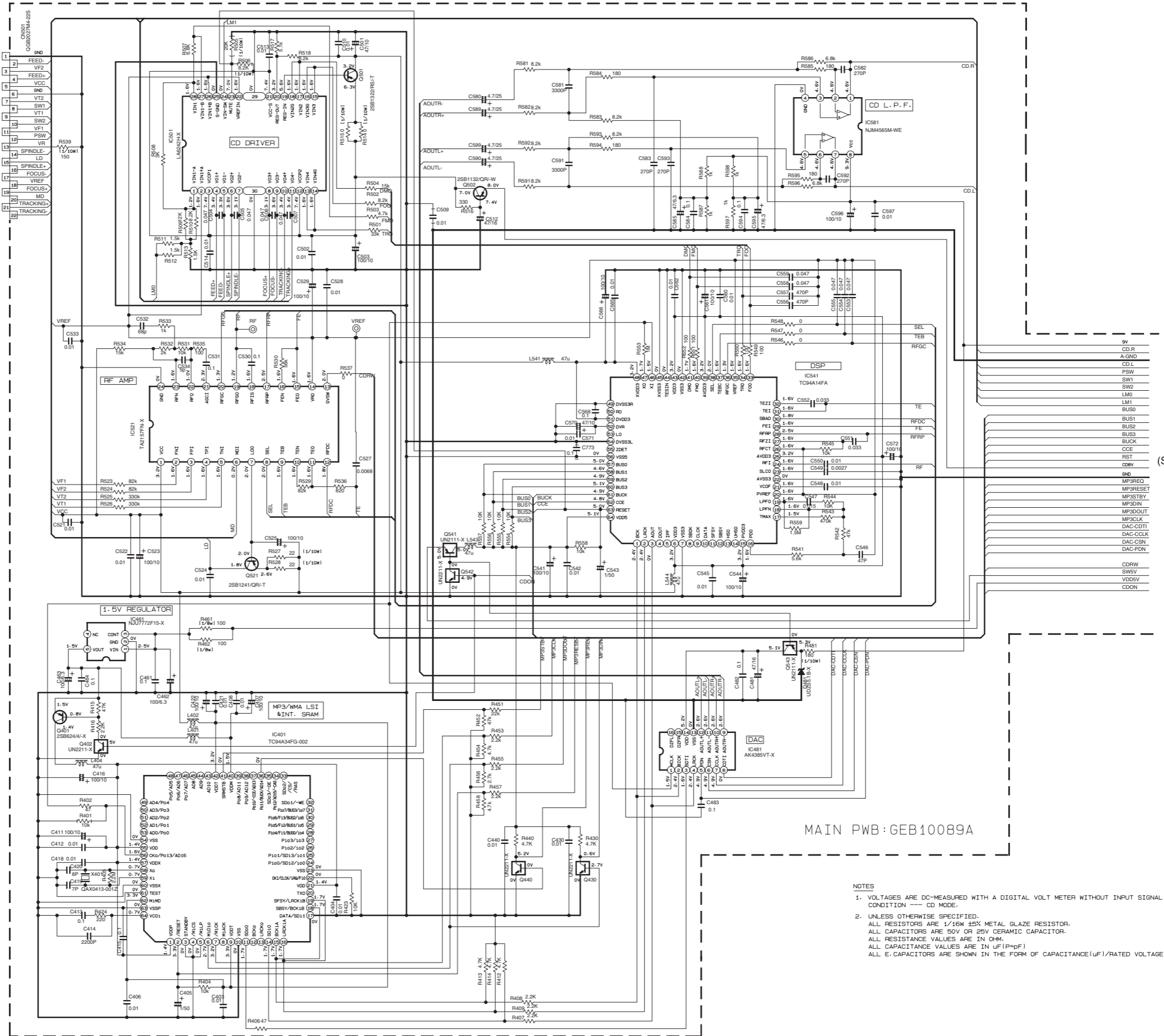
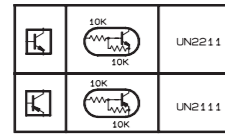
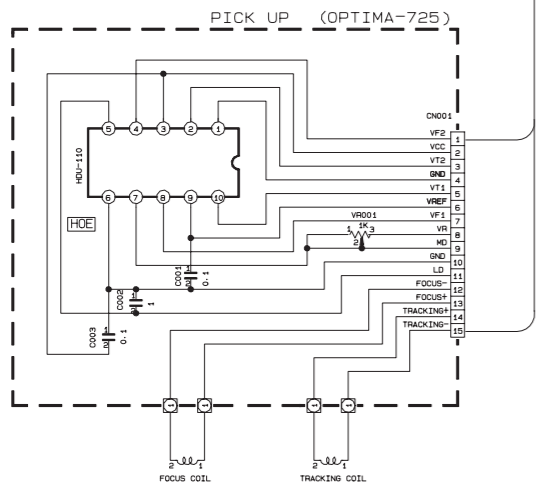
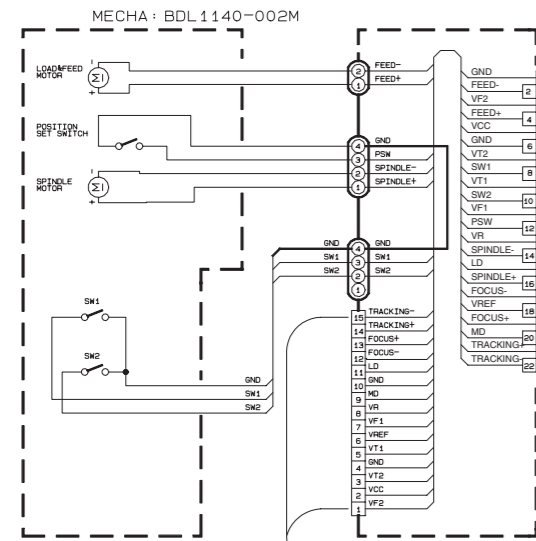
MODEL	KD-G455U	KD-G405U	KD-AR300J	KD-0300J
R759	NO USED	NO USED	NO USED	NO USED
R760	47k Ω	47k Ω	47k Ω	47k Ω
R773	NO USED	NO USED	47k Ω	47k Ω
R774	47k Ω	47k Ω	NO USED	NO USED
R775	47k Ω	NO USED	47k Ω	NO USED
R776	NO USED	47k Ω	NO USED	47k Ω
R777	47k Ω	47k Ω	NO USED	47k Ω
R778	NO USED	NO USED	47k Ω	NO USED

MODEL	KD-G455U	KD-G405U	KD-AR300J	KD-0300J
C82	0.0022μF	0.0022μF	NO USED	NO USED
C92	0.0022μF	0.0022μF	NO USED	NO USED
C83	NO USED	NO USED	0.015μF	0.015μF
C93	NO USED	NO USED	0.015μF	0.015μF
C84	0.015μF	0.015μF	0.015μF	0.015μF
C94	0.015μF	0.015μF	0.015μF	0.015μF
R81	1.2k Ω	1.2k Ω	2.2k Ω	2.2k Ω
R83	3.2k Ω	3.2k Ω	2.2k Ω	2.2k Ω
R82	7.5k Ω	7.5k Ω	3.9k Ω	3.9k Ω

MODEL	KD-G455U	KD-G405U	KD-AR300J	KD-0300J
IC801, J801, C801, C802	USED	NO USED		
R801-R803, R805-R810	USED	NO USED		
R804	22k Ω	47k Ω		
R811	NO USED	NO USED	47k Ω	



■ CD servo section

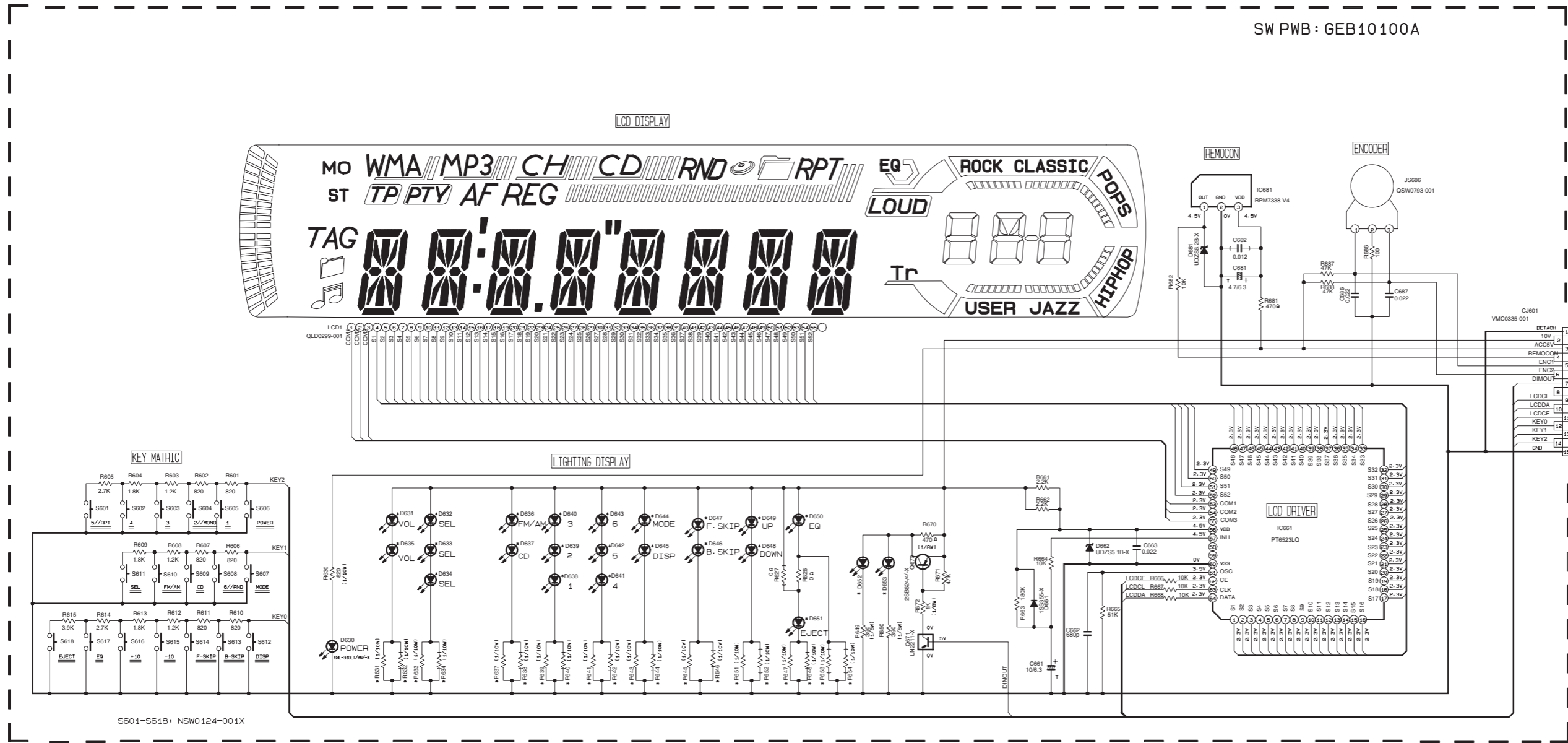


NOTES

- VOLTAGES ARE DC-MEASURED WITH A DIGITAL VOLT METER WITHOUT INPUT SIGNAL CONDITION --- CD MODE.
- UNLESS OTHERWISE SPECIFIED, ALL RESISTORS ARE 1/16W ±5% METAL GLAZE RESISTOR. ALL CAPACITORS ARE 50V OR 25V CERAMIC CAPACITOR. ALL RESISTANCE VALUES ARE IN OHM. ALL CAPACITANCE VALUES ARE IN UF (µDF) ALL E-CAPACITORS ARE SHOWN IN THE FORM OF CAPACITANCE(UF)/RATED VOLTAGE(V)

(SHEET 1)

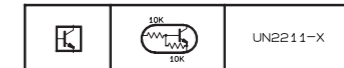
■ LCD & Key control section



*REMARKS

MODEL	KD-G455U	KD-G405U	KD-AR300J	KD-G300J
LCD1	QLD0299-001	QLD0299-001	QLD0299-001	QLD0299-001
D631-D635, D638-D643, D646-D651	LNJ308G81/1-3/X	SML-310VT/JK/-X	SML-310VT/JK/-X	SML-310VT/JK/-X
FM/AM & CD MODE & DISP	D636, D637 SML-310VT/JK/-X D644, D645 LNJ308G81/1-3/X	SML-310VT/JK/-X LNJ308G81/1-3/X	LNJ308G81/1-3/X SML-310VT/JK/-X	SML-310VT/JK/-X SML-310VT/JK/-X
POWER	D652, D653 NSPW310BS/BRS/	NSPW310BS/BRS/	NSPW310BS/BRS/	NSPW310BS/BRS/
VOL	R630 820	820	820	820
SEL	R631 470	470	470	470
VOL	R633 330	680	680	680
FM/AM & CD 1, 2, 3	R637 820	820	470	820
4, 5, 6	R639 330	330	330	330
MODE & DISP	R641 330	330	330	330
UP, DOWN, >>1, 1<< or (>>1, 1<<)	R643 470	470	470	470
EQ, EJ or (EJ)	R645 470	470	470	470
(UP, DOWN)	R647 470	470	470	470
(EQ)	R651 470	470	470	470
IC681, D681, C681, R681, R682	USED	USED	USED	USED

SML-310VT/JK/-X = RED LED
LNJ308G81/1-3/X = GREEN LED



NOTES

- VOLTAGES ARE DC-MEASURED WITH A DIGITAL VOLT METER WITHOUT INPUT SIGNAL.
- UNLESS OTHERWISE SPECIFIED, ALL RESISTORS ARE 1/16W 45% METAL GLAZE RESISTOR. ALL CAPACITORS ARE 50V OR 25V CERAMIC CAPACITOR. ALL RESISTANCE VALUES ARE IN OHM. ALL CAPACITANCE VALUES ARE IN uF(P=pF) ALL E. CAPACITORS ARE SHOWN IN THE FORM OF CAPACITANCE(uF)/RATED VOLTAGE(V) T --- TANTALUM CAPACITOR.
- COMPONENTS IN () INDICATE NOT USE.